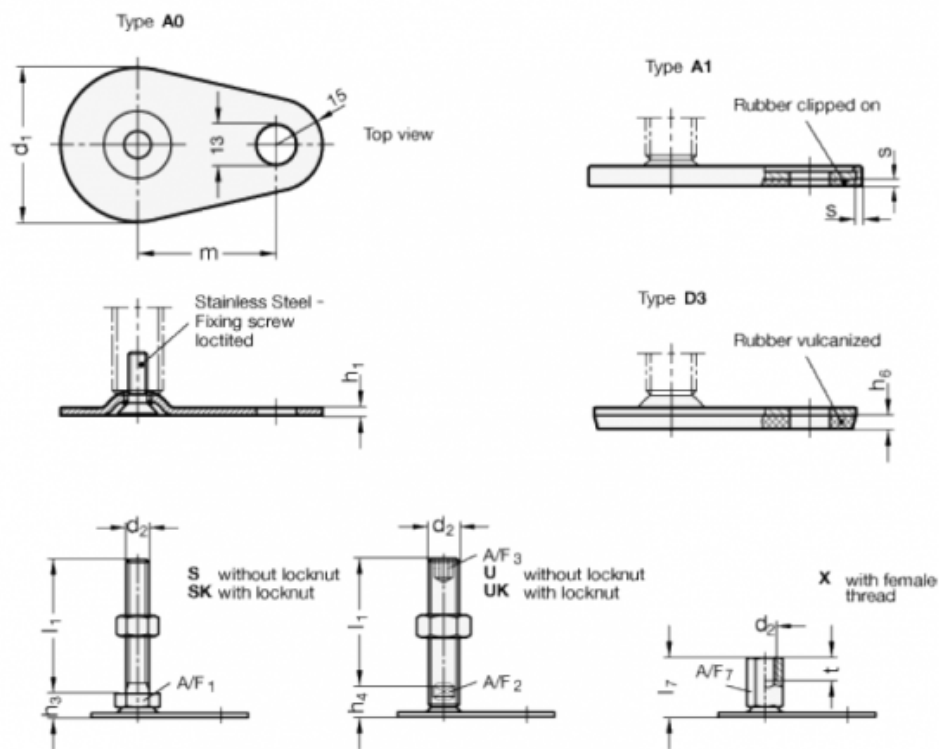


Data Sheet



Article number: 204280M1232D3X
 Description: E+G levelling foot
 GN 42-80-M12-32-D3-X
 Note: X With female thread, External hexagon

Measures



A/F7 = 17
 d_1 = 80
 d_2 = M12
 h_1 = 3
 h_6 = 5
 l_7 = 32
 m = 70
 s =

t = 12